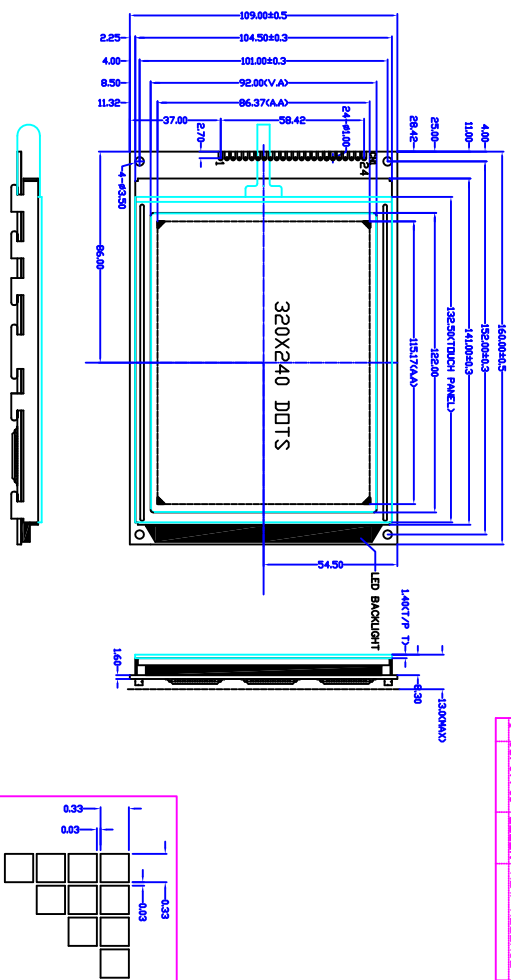
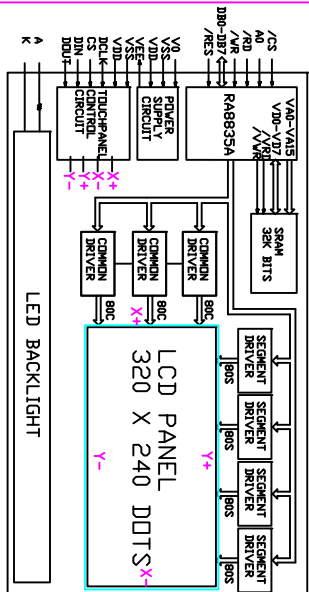


Outline Dimension



REV	DATE	BY	DESCRIPTION
1	18/07/20	ZOLEN	NEW RELEASE

Block Diagram



Feature

- BUILT IN CONTROLLER: RA8835A
- POWER SUPPLY: 5.0V AND 3.0V AVAILABLE
- LED TYPE: BLUE STN/NEGATIVE
- BACKLIGHT: SIDE LED BACKLIGHT
- COLOR OF BACKLIGHT: WHITE
- 1/240 DUTY CYCLE/1/16BIAS
- VIEWING ANGLE: 6 O'CLOCK
- TEMPERATURE RANGE: EXTENDED(-20--70)
- WHITE TOUCHPANEL

Mechanical Data

ITEM	SPECIFICATION	UNIT
OVERALL SIZE	160.0H x 109.0H x 13.0T	MM
VIEWING AREA	122.0V x 92.0H	MM
DOT NUMBER	320 x 240	DOTS
DOT SIZE	0.33V x 0.33H	MM
DOT PITCH	0.36V x 0.36H	MM

Absolute Maximum Rating

ITEM	SYMBOL	MIN	MAX	UNIT
POWER SUPPLY LOGIC	VDD-VSS	0	6.5	V
POWER SUPPLY LCD	DRV/VDD-V0	0	3.0	V
INPUT VOLTAGE	VI	VI	VDD	V

Electrical Characteristics

ITEM	SYMBOL	MIN	TYP	MAX	UNIT
VOLTAGE FOR LOGIC(VDD-VSS)	4.75	5.0	5.25	V	
SUPPLY CURRENT IDD		12.0	-	mA	
LCD OPERATING VDD-V0		23.0	-	V	
VOLTAGE VDD-V0		22.6	-	V	
INPUT VOLTAGE VIL		0		VDD	
INPUT VOLTAGE VIH		0		VDD	
INPUT VOLTAGE L		0		0.3VDD	

CN2, CN3 Pin Assignment

NO.	SYMBOL	DESCRIPTION
1	VSS	GROUND
2	VDD	POWER SUPPLY FOR LOGIC AND LCD
3	V0	OPERATING VOLTAGE FOR LCD
4	/WR	WRITE SIGNAL
5	/RD	READ SIGNAL
6	/CE	CHIP SELECTION
7	A0	COMMAND/DATA SELECT
8	/RS1	RESET SIGNAL (LOW EFFECTIVE)
9--16	DB0--DB7	DATA BUS
17	VEE	NEGATIVE VOLTAGE INPUT/OUTPUT
18	SK	CLOCK(TP)
20	DI	DATA INPUT
22	IRQ	PEN INTERRUPT(TP)
23	A	LED BACKLIGHT POWER SUPPLY(+)
24	K	LED BACKLIGHT POWER SUPPLY(-)

JXD320240AF-TP 320 X 240 DOTS GRAPHIC LCM EXPERT IN LCD

ALL DIMENSIONS ARE IN MM. TOLERANCE IS +/-0.2 UNLESS OTHERWISE NOTED.